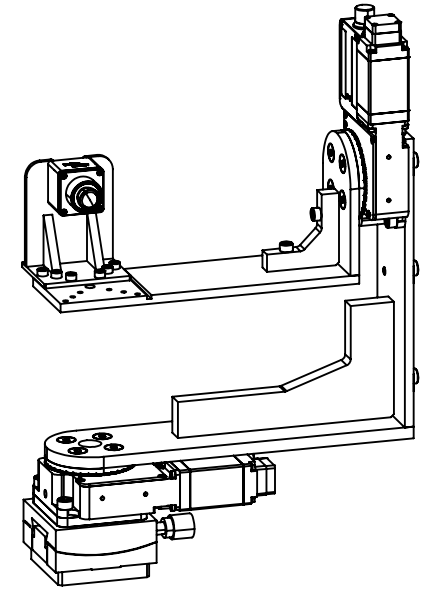
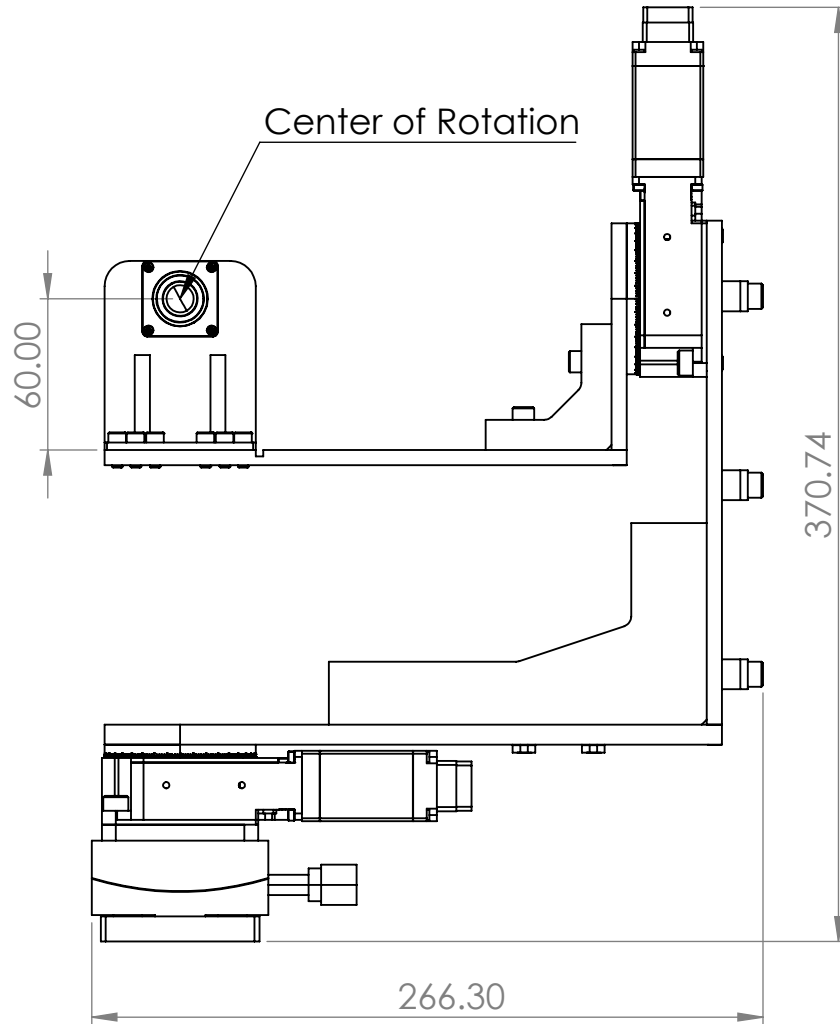
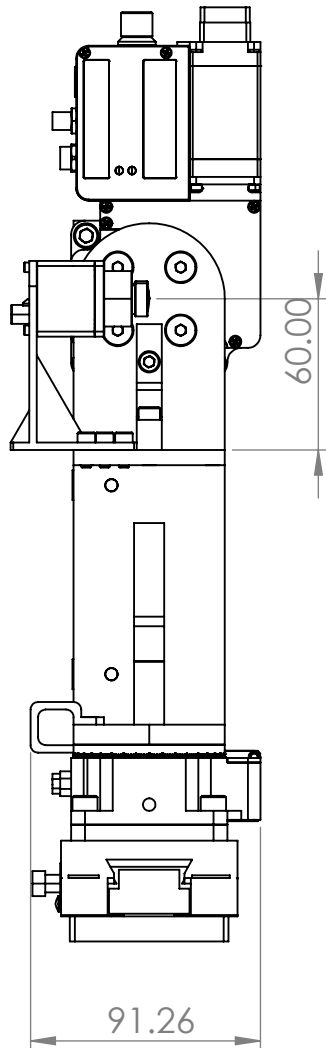


Standard Configuration



Drawn By: Alex Schwartz

Tolerances:

X.X ± 0.125
X.XX ± 0.125

Surface Finish:

Black Anodize

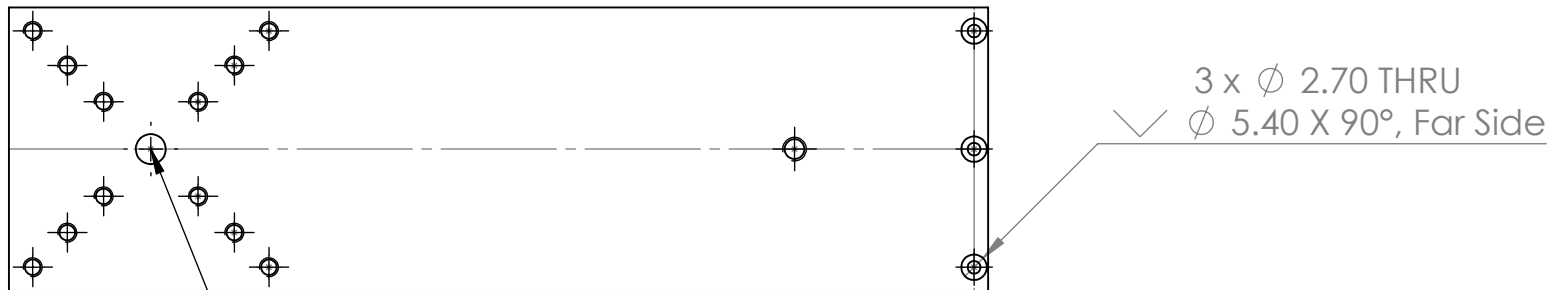
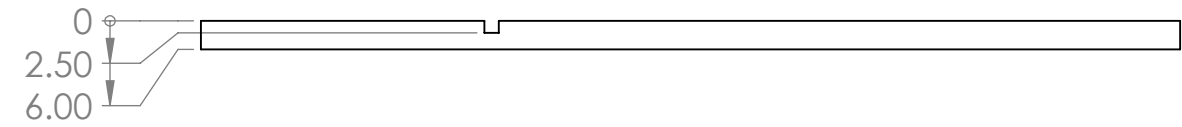
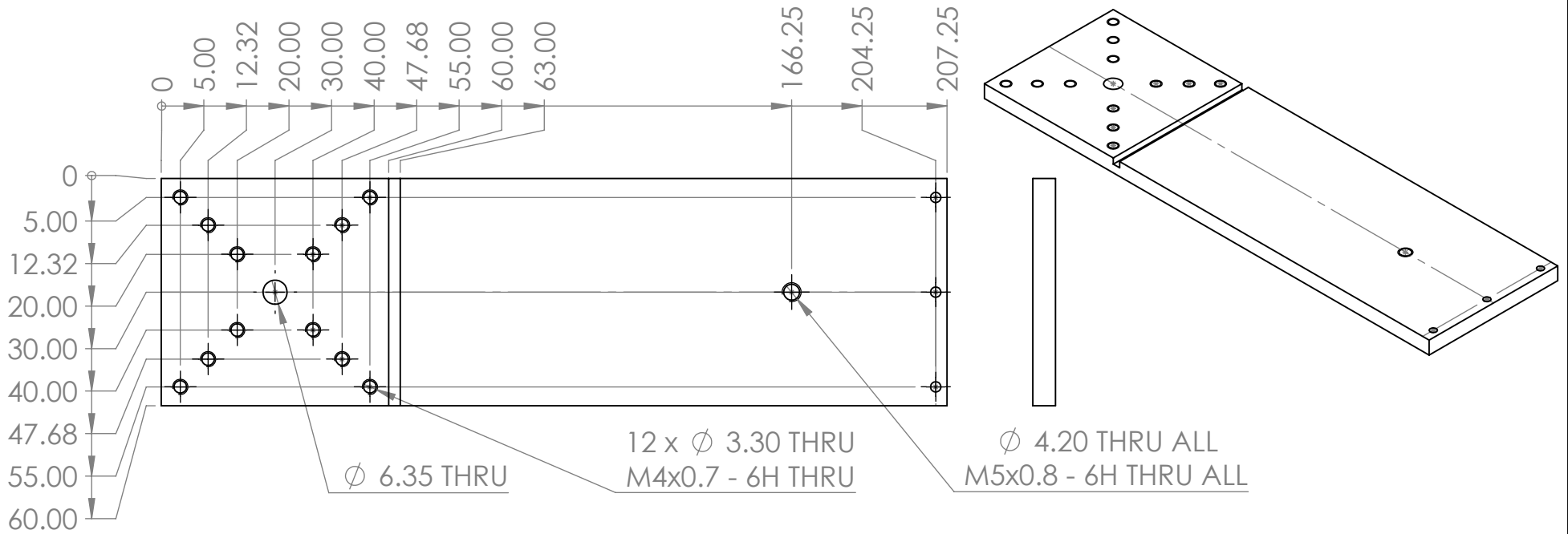
Project: Motorized Gimbal

Title: Center of Rotation Diagram

Stock Size: 370 x 266 x 91mm

Material: Various

Units: mm



Center of Gimbal Rotation



Drawn By: Alex Schwartz

Tolerances:

X.X ± 0.125
X.XX ± 0.125

Surface Finish:

Black Anodize

Project: Big Motorized Gimbal

Title: Inside 2 EXTENDED

Stock Size: 60 x 207.25 x 6mm

Material: 6061 T6 Aluminum

Units: mm