

Drawn By: Alex Schwartz

Tolerances:

X.X ± 0.125
X.XX ± 0.125

Surface Finish:

Black Anodize

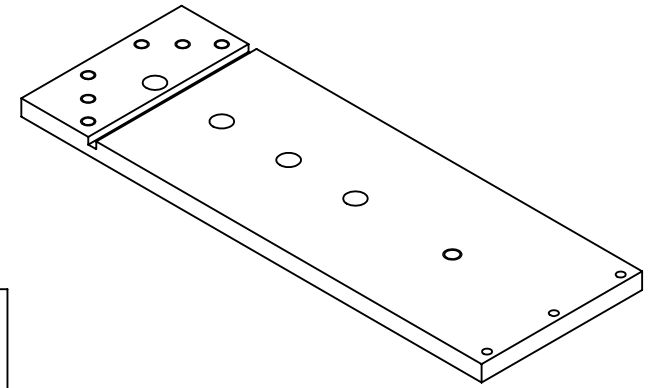
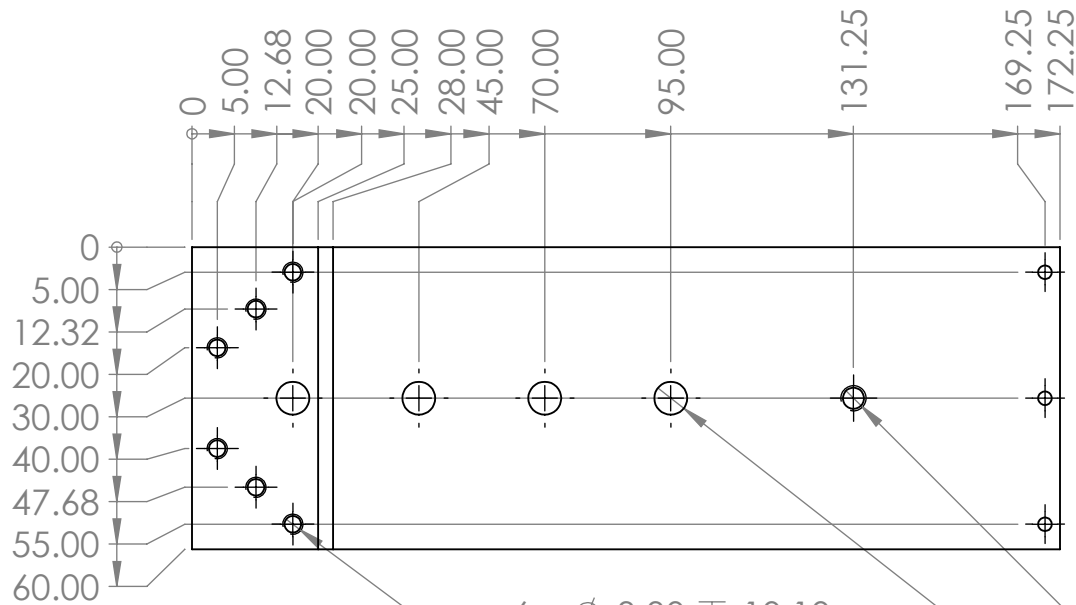
Project: Motorized Gimbal

Title: Center of Rotation Diagram

Stock Size: 370 x 266 x 91mm

Material: Various

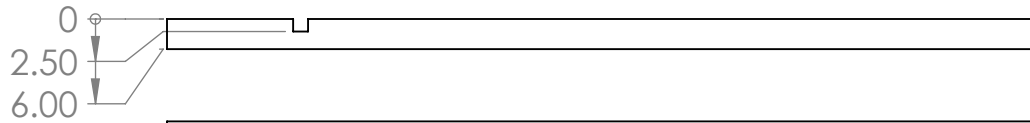
Units: mm



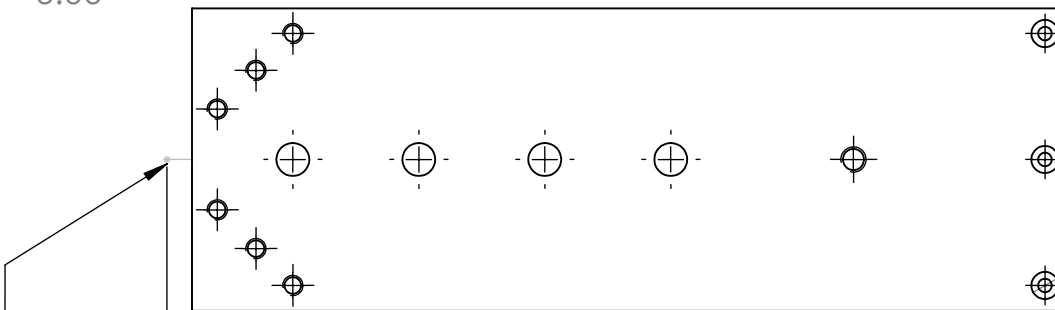
6 x ϕ 3.30 ∇ 10.10
M4x0.7 - 6H ∇ 8.00

ϕ 4.20 THRU ALL
M5x0.8 - 6H THRU ALL


4 x ϕ 6.53 THRU ALL



3 x ϕ 2.70 THRU
 ∇ ϕ 5.40 X 90°, Far Side



5.00
(Center of Gimbal Rotation)

| | | |
|--|-------------------------------------|-------------------------------|
|  | Tolerances: | Project: Big Motorized Gimbal |
| | X.X \pm 0.125 X.XX \pm 0.125 | Title: Inside 2 |
| Drawn By: Alex Schwartz | Surface Finish: | Stock Size: 60 x 172.25 x 6mm |
| | Black Anodize | Material: 6061 T6 Aluminum |
| | | Units: mm |

