

正印科技图像质量测试方案

Image Quality Test Solutions

CS-LB3 Series Spherical Light Source

CS-LB3

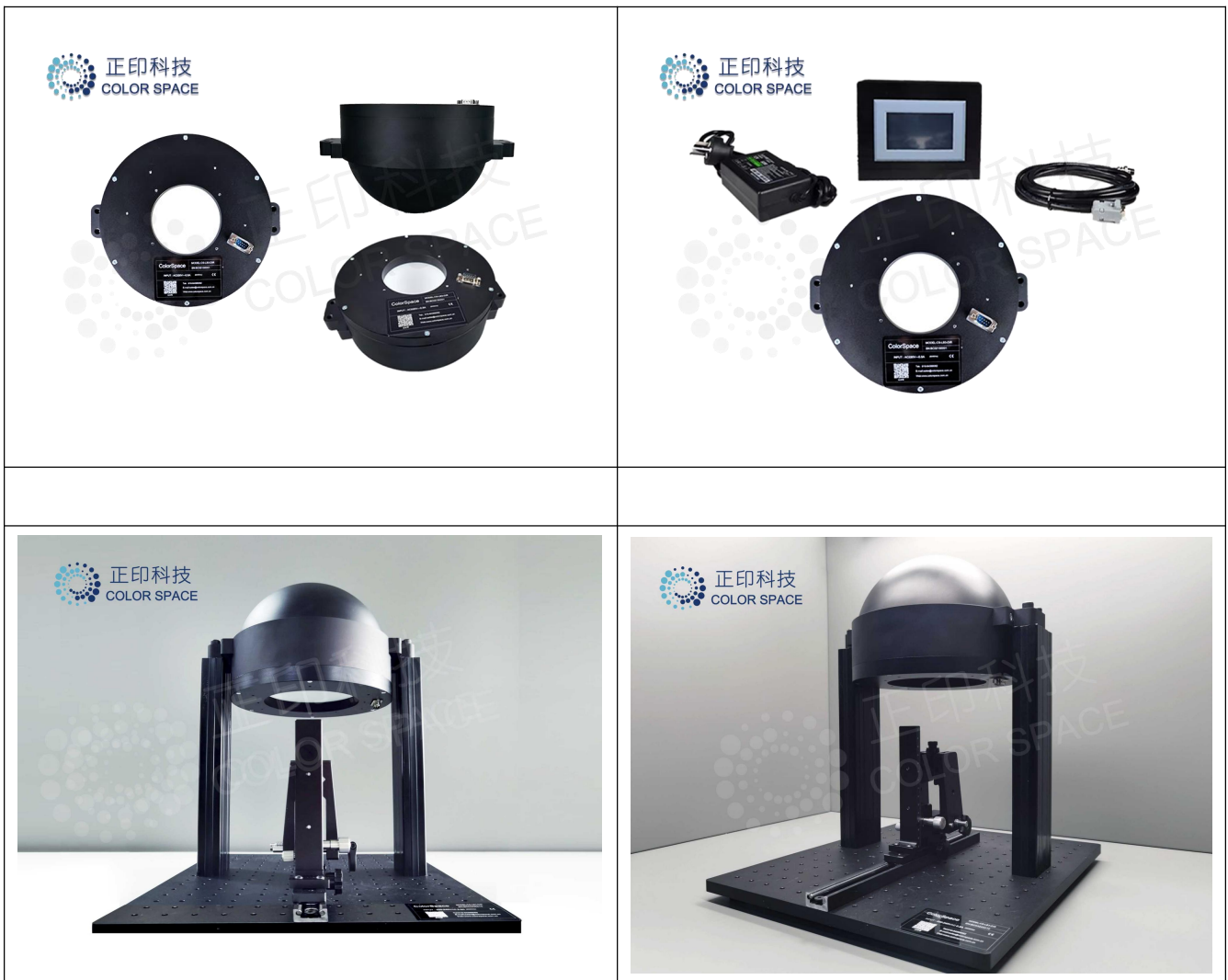
2023-7-28



CS-LB3 Series Spherical Light Source

ColorSpace Co., Ltd. provides a series versatile lighting system. They are specially designed for image quality test applications, such as consumer electronics, automotive imaging, medical imaging, security surveillance industries. CS-LB3 series spherical light can be used for either production line or IQ Lab , to test AWB, Auto Exposure, uniformity, sensor defect Inspection, Blemish, or OTP of wide FOV camera, up to 220 degree or even higher FOV can be customized.

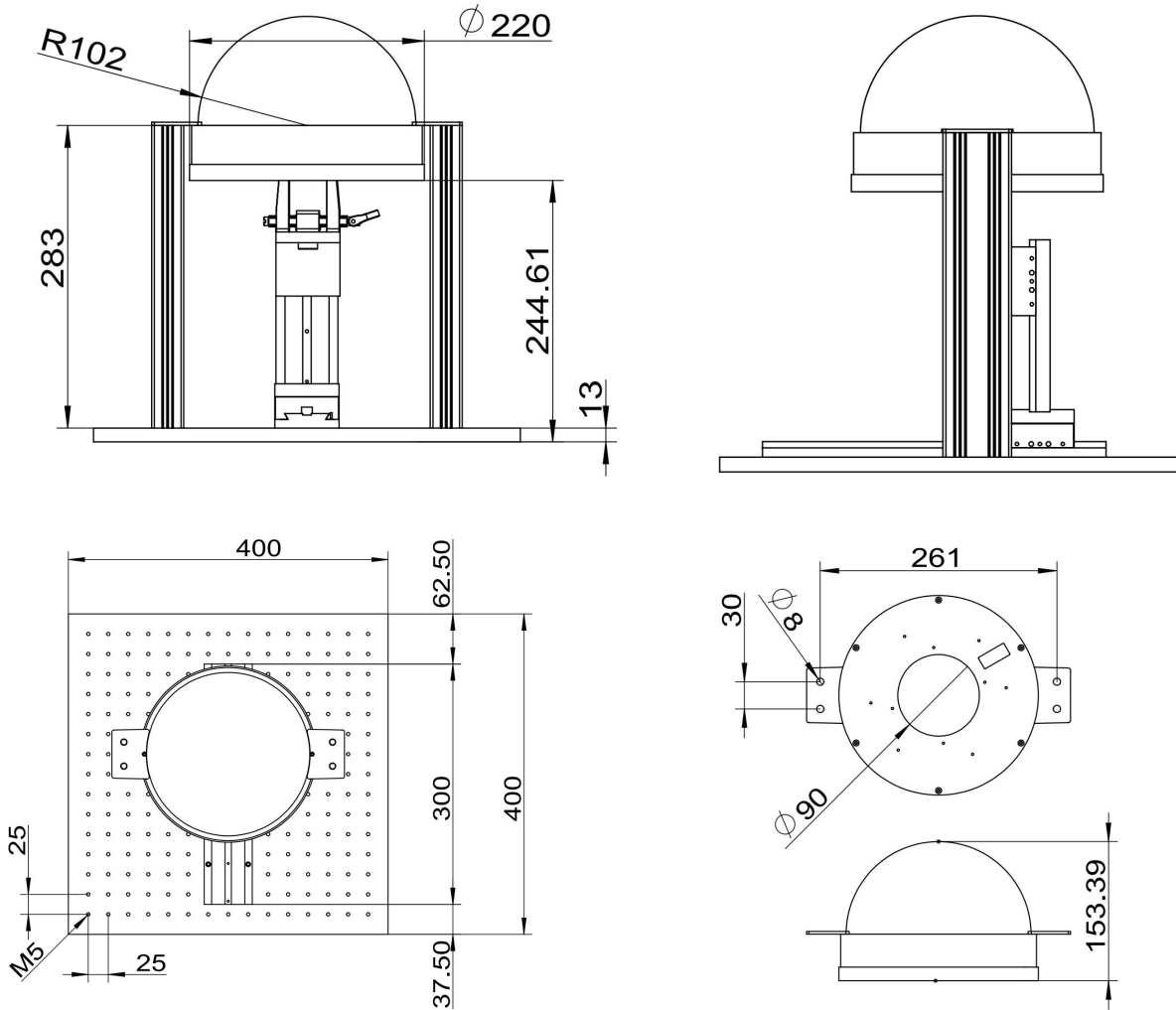
(Support customization of SIZE and PARAMETERS)



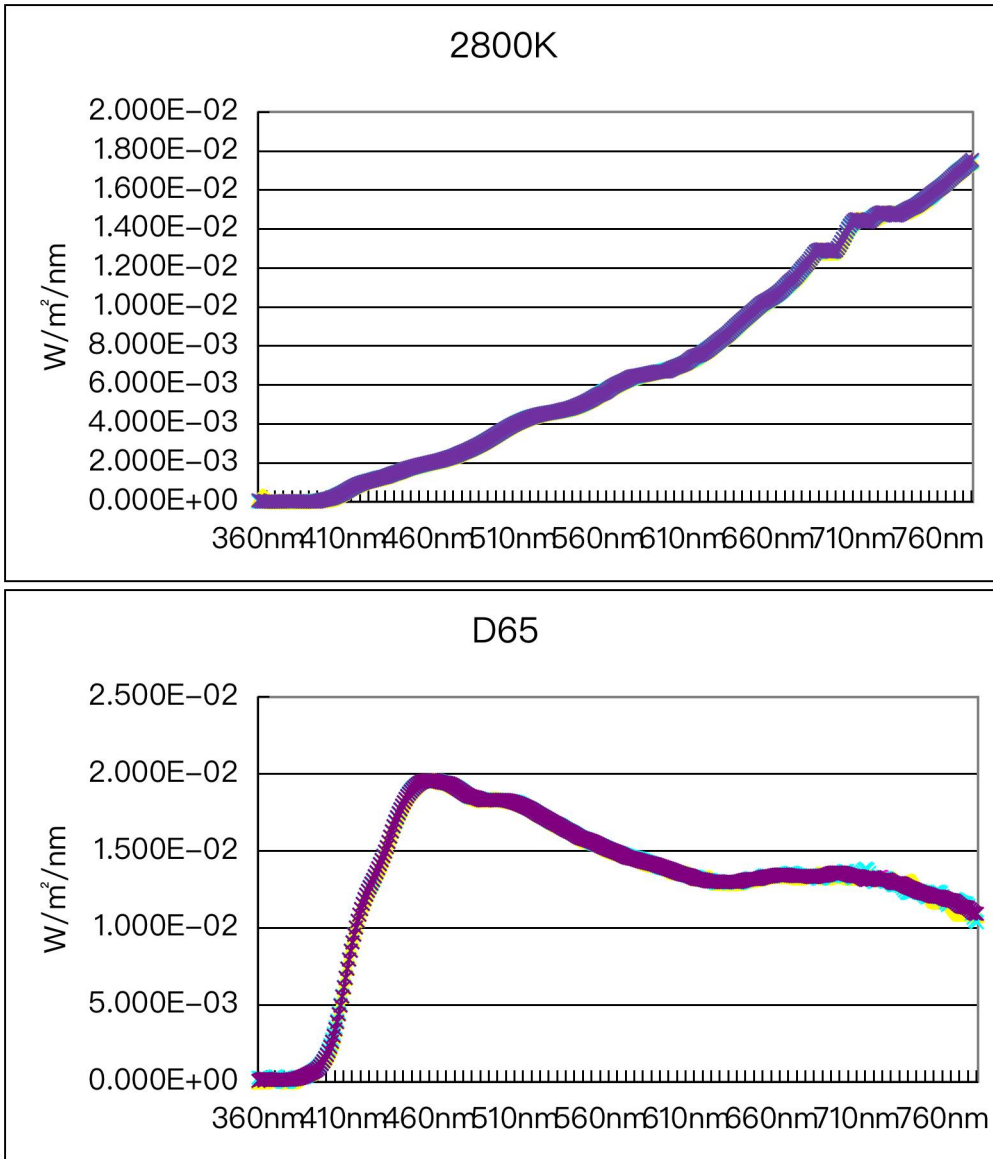
CS-LB3 Series Spherical Light Source Parameters

Model	CS-LB3-D	CS-LB3-DIR	CS-LB3-D-Pro
Color Temperature	2300K~6500K	2300K~6500K	2300K~6500K Full Visible Spectrum
IR Range	-	850nm / 940nm	-
Illumination Range	10lux ~ 5000Lux (Customizable)	10 lux~ 5000Lux (Customizable)	10 lux~ 2000Lux (Customizable)
Aperture Diameter	90mm (Customizable)		
CRI	> 95(Standard)	> 95(Standard)	> 98~99 (Premium Series LED)
Uniformity	>95	>95	>95
Applicable FOV	Up to 230°(Can be customized)		
Control Method	Touch Screen/USB		
Control Software	Optional : Light Control3.0 (To control luminance, CCT etc)		
Open API	Optional		
External Light Meter	Optional		
Test Applicaton	Lens Shading,Color Shading,AE,Blemishes,OTP etc.		
Industries	Automotive camera,surveillance camera,360 degree camera,Panorama camera etc.		
Accessories	Spherical Light Source × 1 Controller × 1 Power cord × 1 Control line × 1		
Optional Accessories	Light source bracket × 1 Camera mounting fixturer × 1		
Working Environment	Indoor: 15°C ~ 25°C ; Humidity: 30% ~ 50%		

CS-LB3 Series Spherical Light Source Design Drawings



CS-LB3-D-Pro Spectral Curve Performance



ColorSpace Co., Ltd.

Tel: 400-886-3881

Web: www.colorspace.com.cn

Email: sales@colorspace.com.cn

Knowledge Base: <http://kb.colorspace.com.cn/kb/>

Headquarters Address: Room2-1101, the South Area of Lvdiqihang International, Shunyi District, Beijing, China

North China	Address: Room2-1101, the South Area of Lvdiqihang International, Shunyi District, Beijing, China Tel: 400-886-3881 Email: sales@colorspace.com.cn
East China	Address: 4F West, Building 1, Sci-Tech Center, No.128 Shuanglian Road, Haining, Zhejiang Tel: 400-886-3881 Email: sales@colorspace.com.cn
South China	Address: Room 410, building C, Paradise Creative Park, No.5, Pingshan 1st Road, Nanshan District, Shenzhen Tel: 400-886-3881 Email: sales@colorspace.com.cn



【COLORSPACE】 Public WeChat



Scan the QR code to book Lab